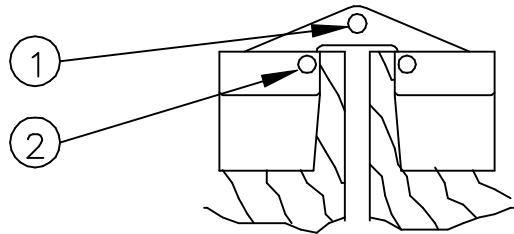
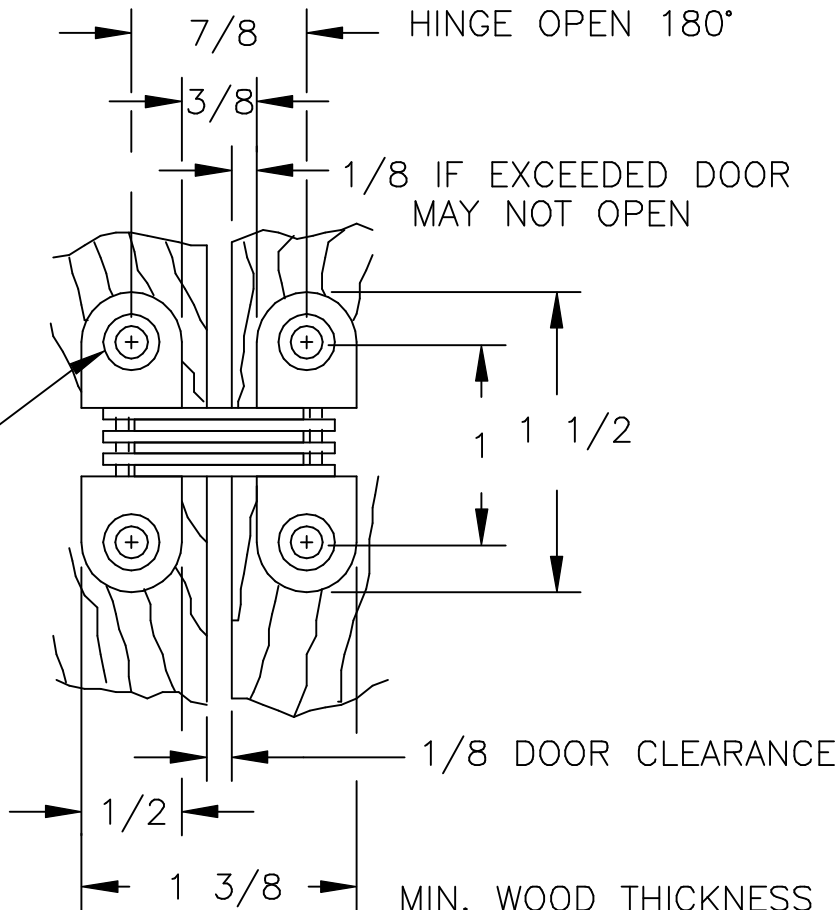


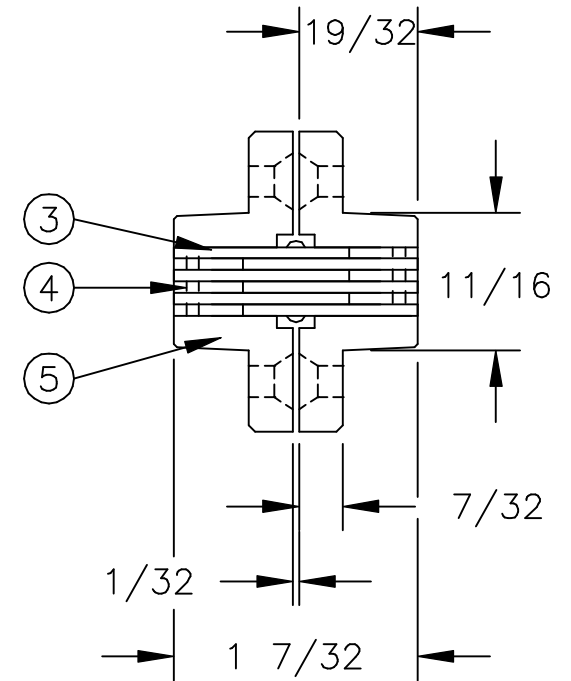
SUPPLIED  
WOODSCREW  
#6 x 1"  
SPECIAL ORDER  
MACH. SCREWS  
#6-40 x 1/2"

.161 DIA. WITH  
9/32 DIA x 82° C'SINK



MIN. WOOD THICKNESS IS 3/4 INCH  
DO NOT SCALE DRAWING  
DOOR CLEARANCE REDUCES TO 1/64" WHILE CLOSING  
SEE DWG# 4477-C IF ADDING MATERIAL TO DOOR FACE

HINGE CLOSED



5	2	BODY	ZINC
4	2	CHANNEL PIN	STEEL
3	6	LINK	STEEL
2	2	LONG PIN	STEEL
1	1	RIVET PIN	STEEL
NO.	QTY.	PART NAME	MATERIAL

**UIP**

©Copyright 1998  
Universal Industrial Products Co. Inc.  
One Coreway Drive  
Pioneer, Ohio 43554-0628

SCALE:

NOT TO SCALE

DRAWN BY:

R. SEIGNEUR

HINGE TEMPLATE

DATE:

4/8/98

#103 SOSS INVISIBLE HINGE

DRAWING #

3942-C