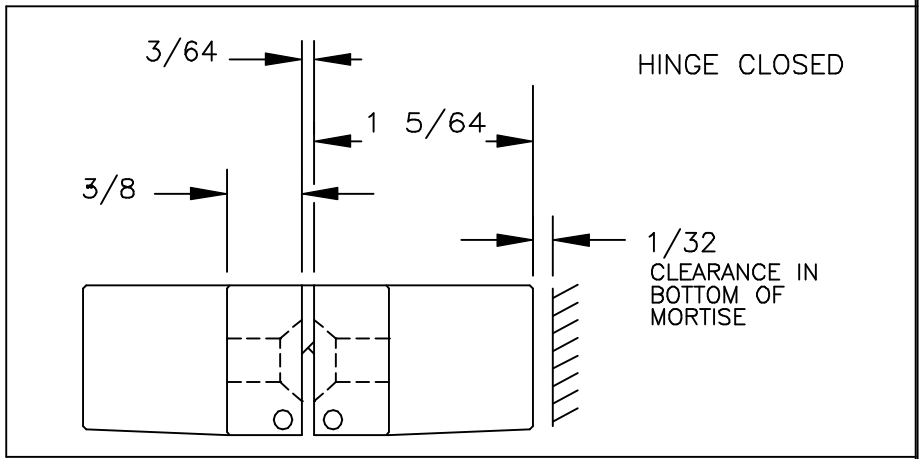


SUPPLIED
WOOD SCREWS
#10 x 1 1/4"
OR
SPECIAL ORDER
MACH. SCREWS
#10-24 x 3/4"

NO.	QTY.	PART NAME	MATERIAL
1	1	RIVET PIN	STEEL
2	2	LONG PIN	STEEL
3	16	LINK	STEEL
4	2	CHANNEL PIN	STEEL
5	2	BODY	ZINC
6	2	LONG ROLLER	STEEL
7	2	SPACER	STEEL
8	2	SHORT ROLLER	STEEL



MIN. WOOD THICKNESS IS 1-1/8 INCH
DO NOT SCALE DRAWING
DOOR CLEARANCE REDUCES TO 1/64" WHILE CLOSING
SEE DWG# 4477-C IF ADDING MATERIAL TO DOOR FACE

<p>UIP ©Copyright 1998 Universal Industrial Products Co. Inc. One Coreway Drive Pioneer, Ohio 43554-0628</p>	<p>SCALE: NOT TO SCALE</p>
	<p>DRAWN BY: R. SEIGNEUR</p>
<p>HINGE TEMPLATE</p>	<p>DATE: 4/8/98</p>
<p>#212 SOSS INVISIBLE HINGE</p>	<p>DRAWING # 3951-C</p>