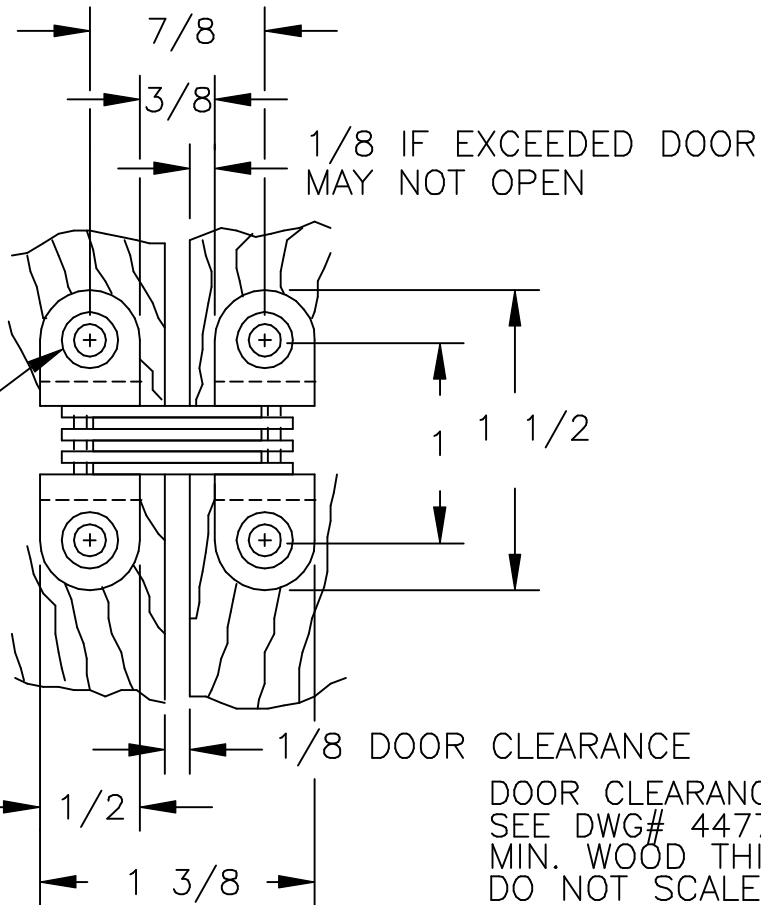


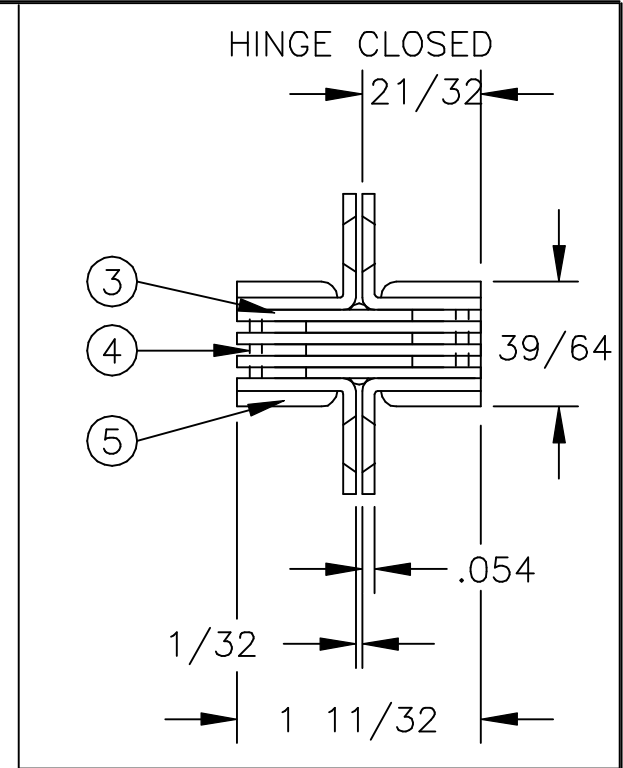
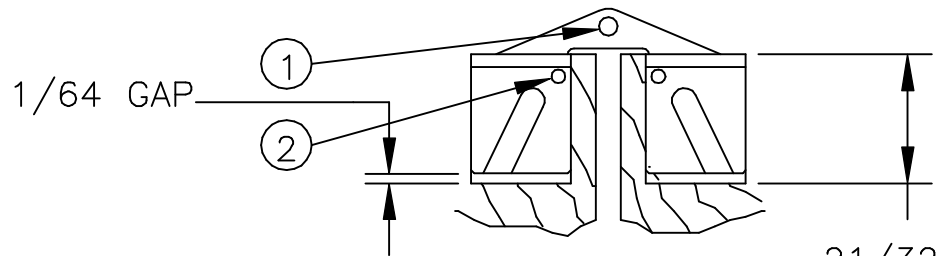
HINGE OPEN 180°



.200 DIA. WITH
1/4 DIA. x 82° C'SINK

SUPPLIED
WOOD SCREWS
#5 x 3/4", OR
SPECIAL ORDER
MACH. SCREWS
#5-40 x 1/2"

DOOR CLEARANCE REDUCES TO 1/64" WHILE CLOSING
SEE DWG# 4477-C IF ADDING MATERIAL TO DOOR FACE
MIN. WOOD THICKNESS IS 11/16 INCH
DO NOT SCALE DRAWING



5	2	BODY	STEEL
4	2	CHANNEL PIN	STEEL
3	6	LINK	STEEL
2	2	LONG PIN	STEEL
1	1	RIVET PIN	STEEL
NO.	QTY.	PART NAME	MATERIAL

<p>UIP ©Copyright 1998 Universal Industrial Products Co. Inc. One Coreway Drive Pioneer, Ohio 43554-0628</p>	<p>SCALE: NOT TO SCALE</p>
	<p>DRAWN BY: R. SEIGNEUR</p>
<p>HINGE TEMPLATE</p>	<p>DATE: 4/8/98</p>
<p>#303 SOSS INVISIBLE HINGE</p>	<p>DRAWING # 3954-C</p>